

PARTS CATALOGUE FOR
COMPUTERIZED SEWING MACHINE

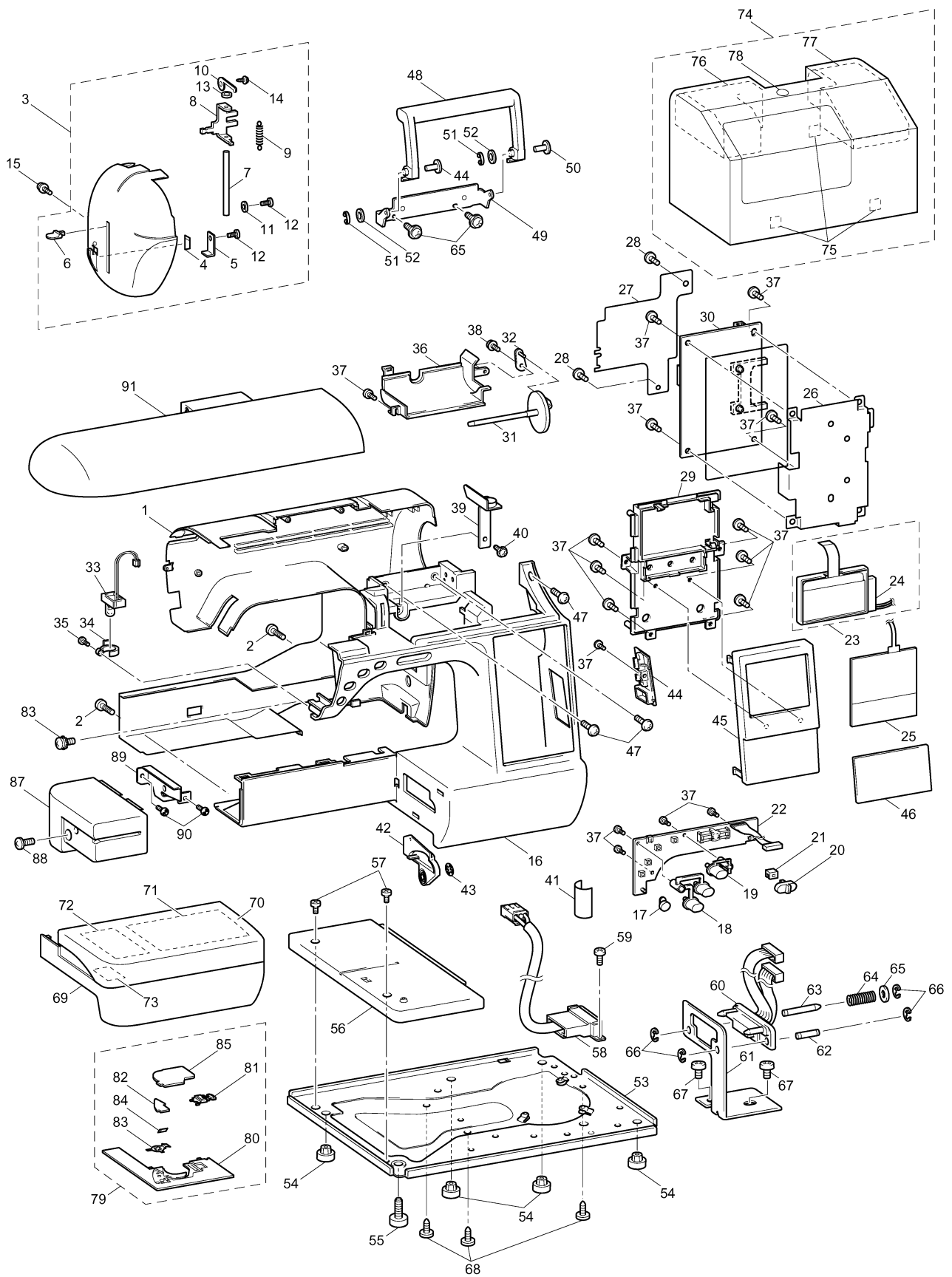
NV1000

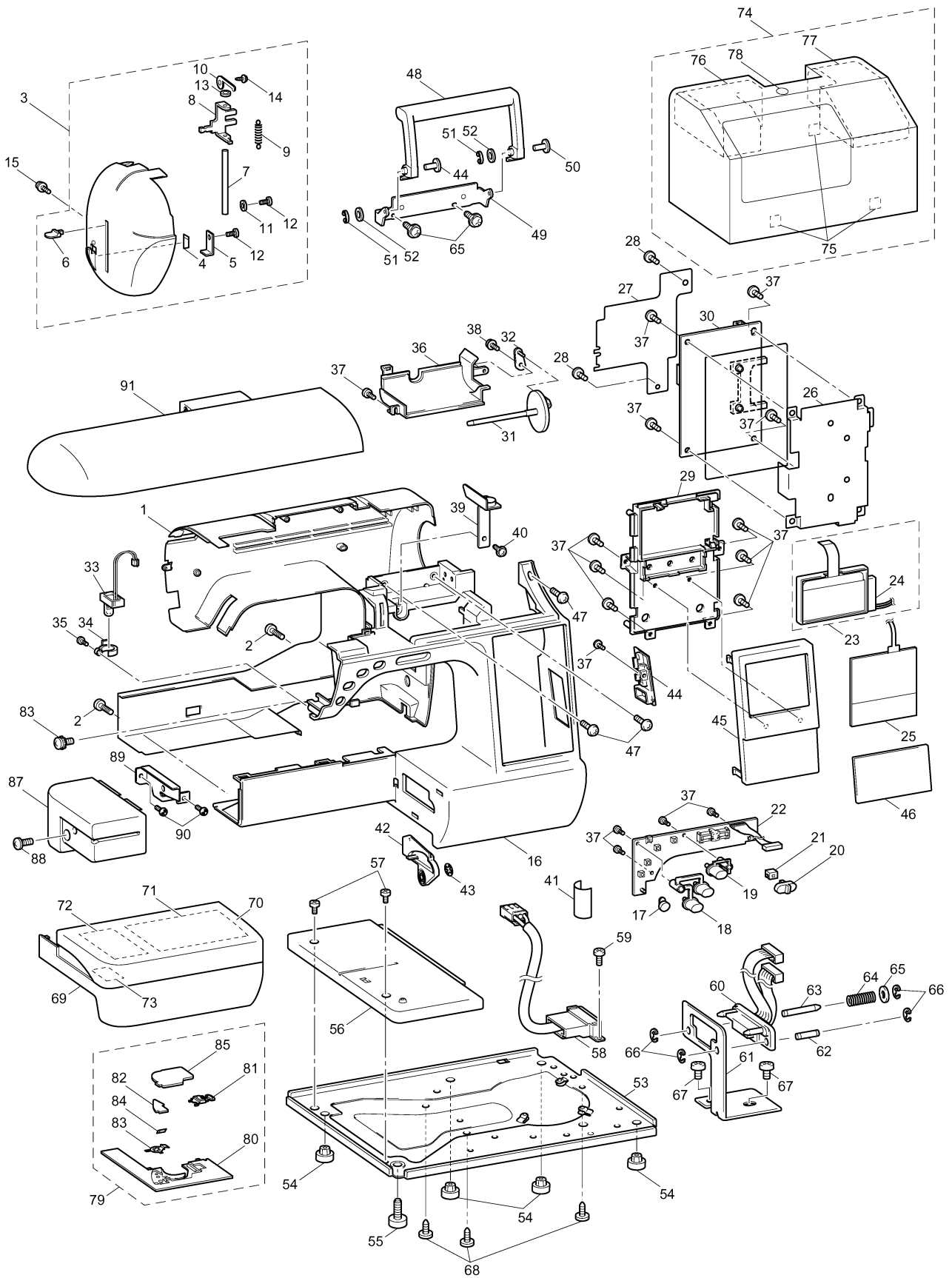
CONTENTS

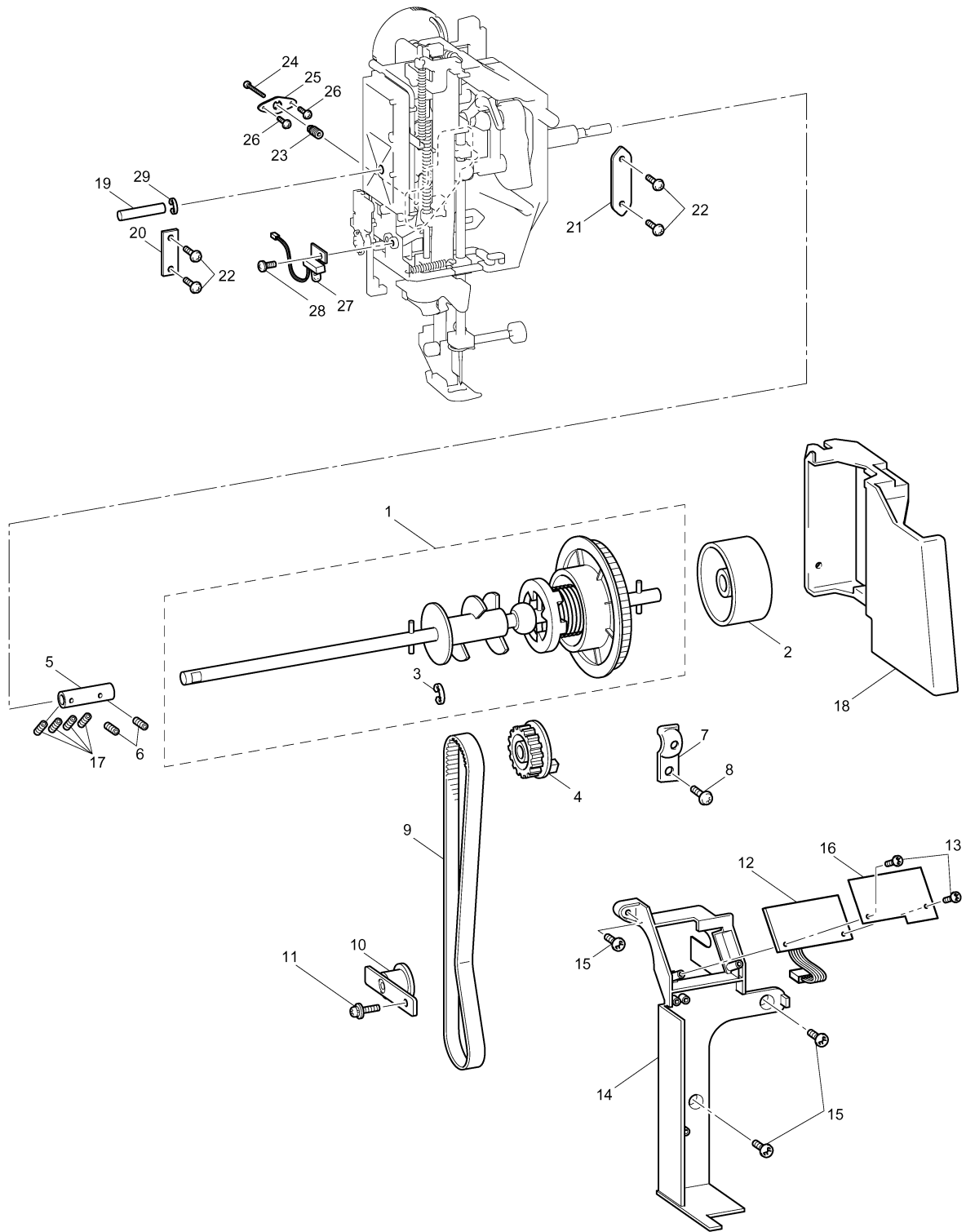
(1) PRINCIPAL PARTS.....	2
(2) UPPER SHAFT / NEEDLE BAR, PRESSER MECHANISM.....	6
(3) FEED, ROTARY HOOK / THREAD CUTTING MECHANISM.....	8
(4) ROTARY HOOK DRIVE / BOBBIN WINDER MECHANISM.....	10
(5) THREAD GUIDE MECHANISM.....	12
(6) ELECTRONIC PARTS / MOTOR UNIT.....	14
(7) EMBROIDERY UNIT	16
(8) ATTACHMENTS / PRINTED MATTER / PACKING MATERIALS	18
NEEDLE-PRESSER MODULE.....	20
FEED MODULE.....	24
THREAD CUTTER MODULE.....	26

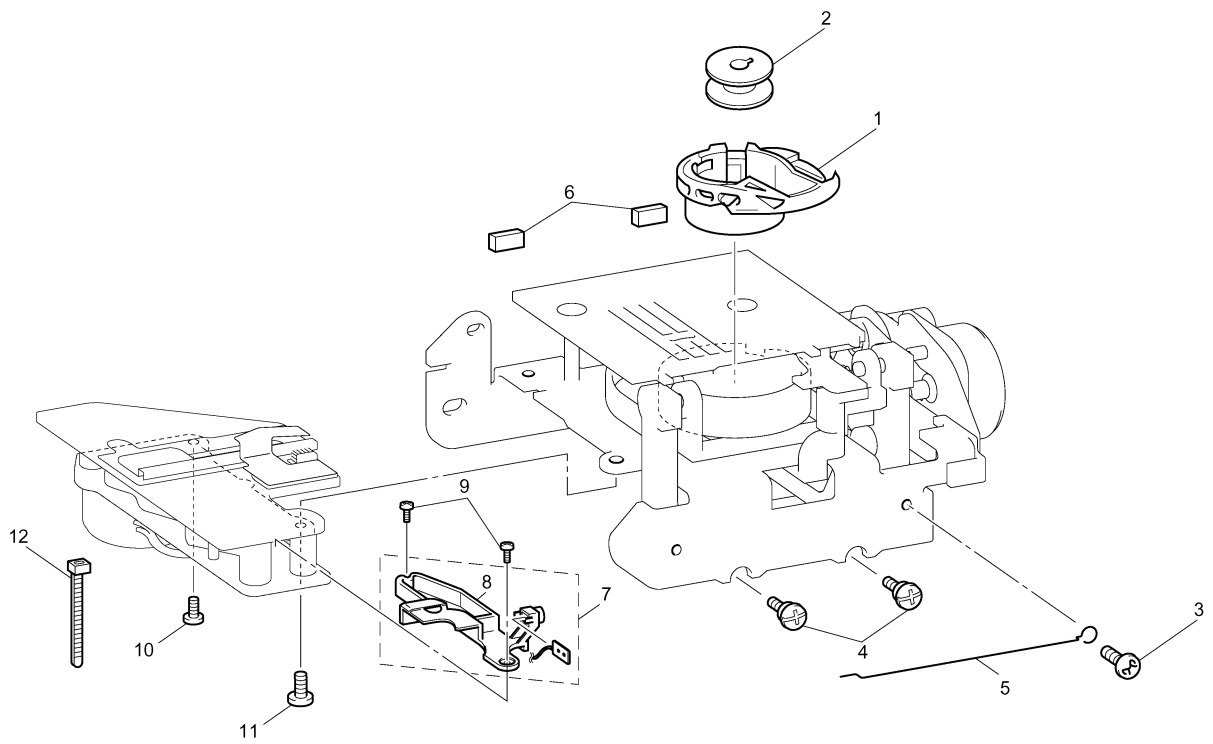
(1) PRINCIPAL PARTS

No.	CODE	NAME	REMARKS	No.	CODE	NAME	REMARKS
1	XD0321051	REAR COVER ASSY		45	XD0347051	INDICATION PLATE	
2	060400816	SCREW, BIND M4 × 8		46	XD0349051	PANEL PLATE	
3	XD0324051	FACE PLATE		47	085411416	TAPTITE, BIND B M4 × 14	
4	X80321001	NT LOWER THREAD CUTTER		48	XC2348051	HANDLE	
5	XC9682051	FACE PLATE CUTTER HOLDER		49	XC9696051	HANDLE HOLDER	
6	XC9604051	NEEDLE THREAD LEVER KNOB		50	XC2350051	HANDLE SHAFT	
7	XA5825051	NEEDLE THREAD LEVER SHAFT		51	048040346	RETAINING RING, E4	
8	XC9683051	NEEDLE THREAD LEVER		52	137713050	POLYESTER SLIDER	
9	138260051	THREAD THROUGH LEVER SPRING		53	XC6818151	BASE PLATE	
10	XZ0406050	SHAFT PRESSER PLATE		54	XA1805051	BASE RUBBER A	
11	XA5525051	WASHER,PLAIN		55	XA4687051	ADJUSTING SCREW ASSY	
12	138433051	TAPTITE,PAN B M3 × 6		56	XC9589051	BASE PLATE COVER	
13	XC0508050	RUBBER WASHER		57	060300516	SCREW, BIND M3 × 5	
14	X59629051	TAPTITE,BIND B M3 × 10		58	XC4412051	INLET ASSY:F1D-US	
15	XC7568051	SCREW PAN (S/P WASHER) M4 × 14		59	060400616	SCREW BIND M4X6	
16	XD0328051	FRONT COVER		60	XD0351051	LEAD WIRE ASSY MAIN BODY FCOMB	
17	XC9600052	SS-BUTTON		61	XD0352051	CONNECTOR HOLDER F-US	
18	XC9601051	REVERSE BUTTON		62	XD0353051	ES PIN F-A	
19	XC9602051	THREAD CUT BUTTON		63	XD0945051	ES PIN F-B	
20	XC9603051	SV KEYTOP		64	XD0967051	SPRING,COMPRESSION	
21	XC2316150	SV JOINT PLATE		65	XC2514021	FEED BAR SPACER	
22	XC2317151	PCB ASSY:SS-VR F2		66	048020346	RETAINING RING E2	
23	XD0830051	LCD SUPPLY ASSY		67	062400612	SCREW PAN M4X6	
24	XD0334051	BACK LIGHT PCB ASSY		68	X57908051	TAPTITE,BIND S M4X10	
25	XD0338051	ASSY:TOUCH PANEL		69	XC9606251	ACCESSORY TABLE	
26	XD0340051	BOARD PLATE		70	XD0829051	ACC TABLE COVER SUPPLY ASSY	
27	XD0331051	BOARD PLATE UPPER		71	XD0528050	SPONGE A	
28	060300516	SCREW BIND M3X5		72	XD0609050	SPONGE B	
29	XD0341051	MAIN PCB HOLDER		73	XD0610151	Q FOOT STICKER	
30	XD0831051	MAIN PCB SUPPLY ASSY		74	XC9701052	CASE ASSEMBLY	
31	XA1786053	SPOOL PIN		75	125440050	CASE FELT	
32	XC9690051	SPOOL PIN HOLDER ASSY		76	XC9702050	HEAD SUPPORT SF-L	
33	XD0343051	PCB UNIT:LED LAMP-FR		77	XC9703050	HEAD SUPPORT SF-R	
34	XC7081051	LAMP HOLDER SUPPORTER		78	XZ0161051	BLIND PLATE	
35	X57372051	TAPTITE,PAN B M2.6 × 8		79	XD0354051	NEEDLE PLATE B ASSY	
36	XC9591051	THREAD BOBBIN COVER		80	XD0355051	NEEDLE PLATE B	
37	136681051	TAPTITE, BIND B M3 × 8		81	XC2366152	SLIDE BUTTON	
38	087311015	TAPTITE, CUP B M3 × 10		82	XC2367052	CUTTER COVER	
39	XC9693351	BOBBIN WINDER GUIDE ASSY		83	XC2368051	SPRING PLATE	
40	XA8390051	SCREW		84	X80321001	NT LOWER THREAD CUTTER	
41	XZ0143050	SSVR INSULATION SHEET		85	XC2369051	NEEDLE PLATE COVER	
42	XD0345051	CONNECT COVER		86	XC4433051	SCREW,PAN(T WASHER)M3 × 6	
43	138384051	RETAINING RING,CS5		87	XC9588151	FREE ARM COVER	
44	XD0342051	CARD COVER		88	XC7566051	SCREW, PAN(S/P WASHER)M4X8	



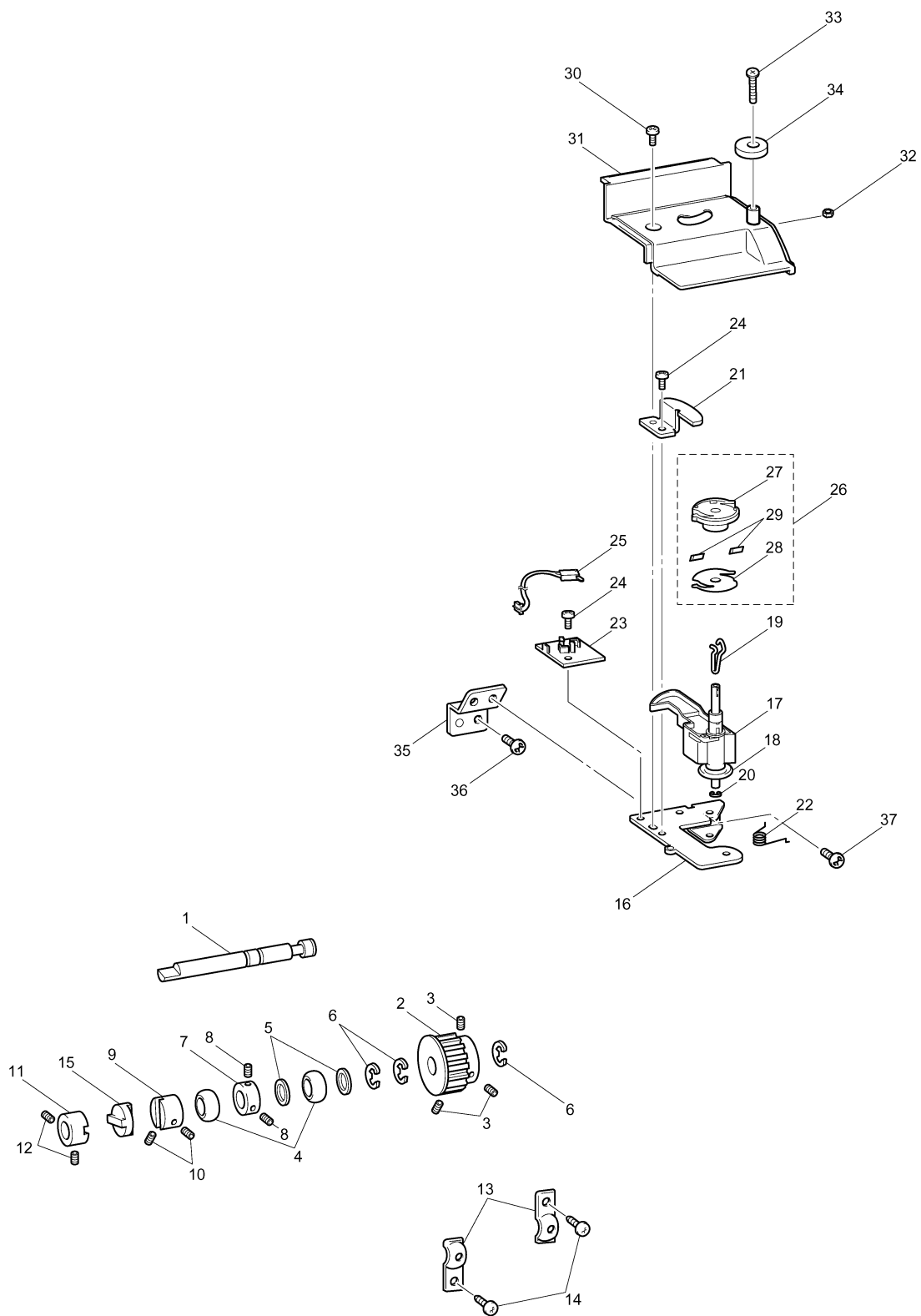






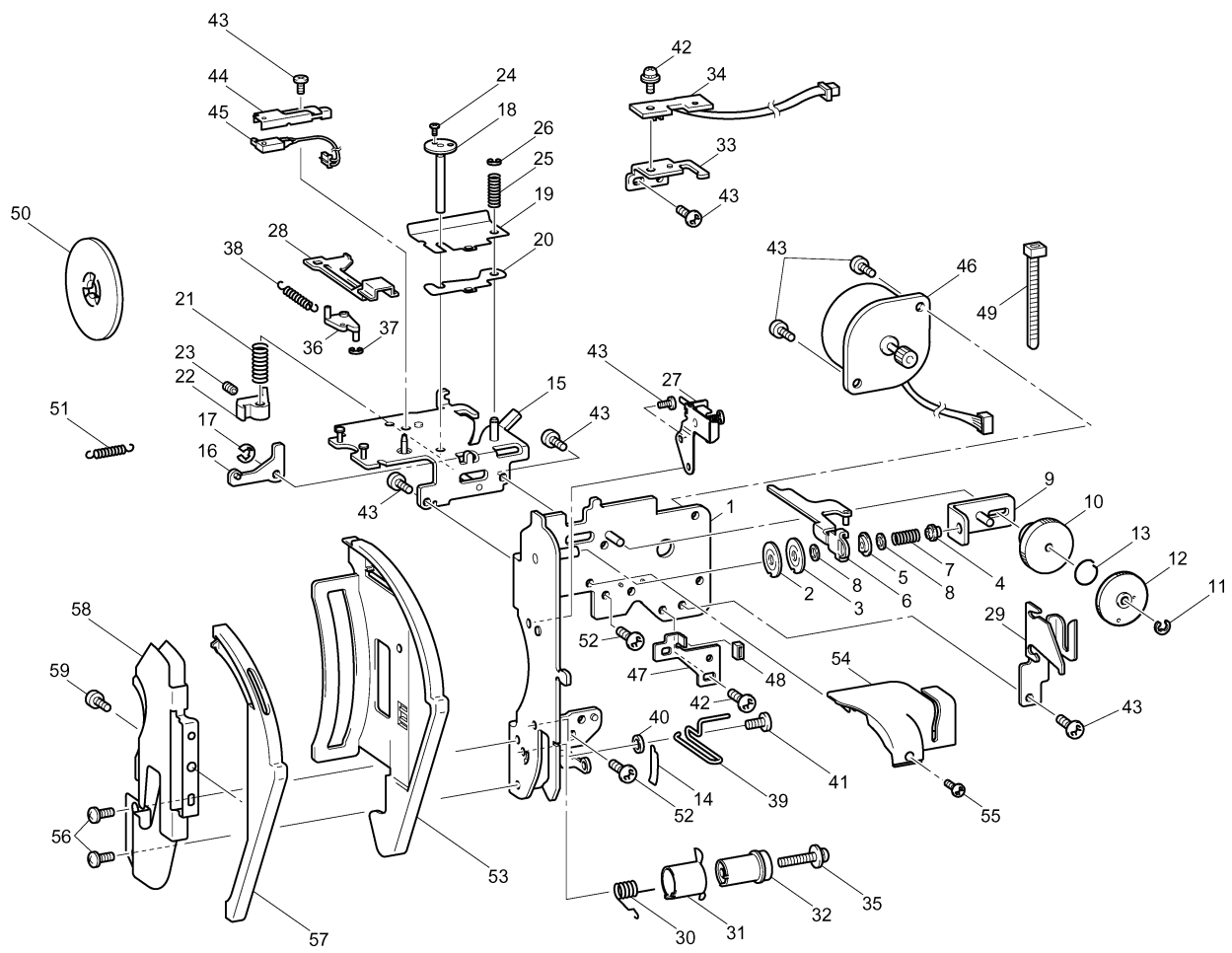
(4) ROTARY HOOK DRIVE / BOBBIN WINDER MECHANISM

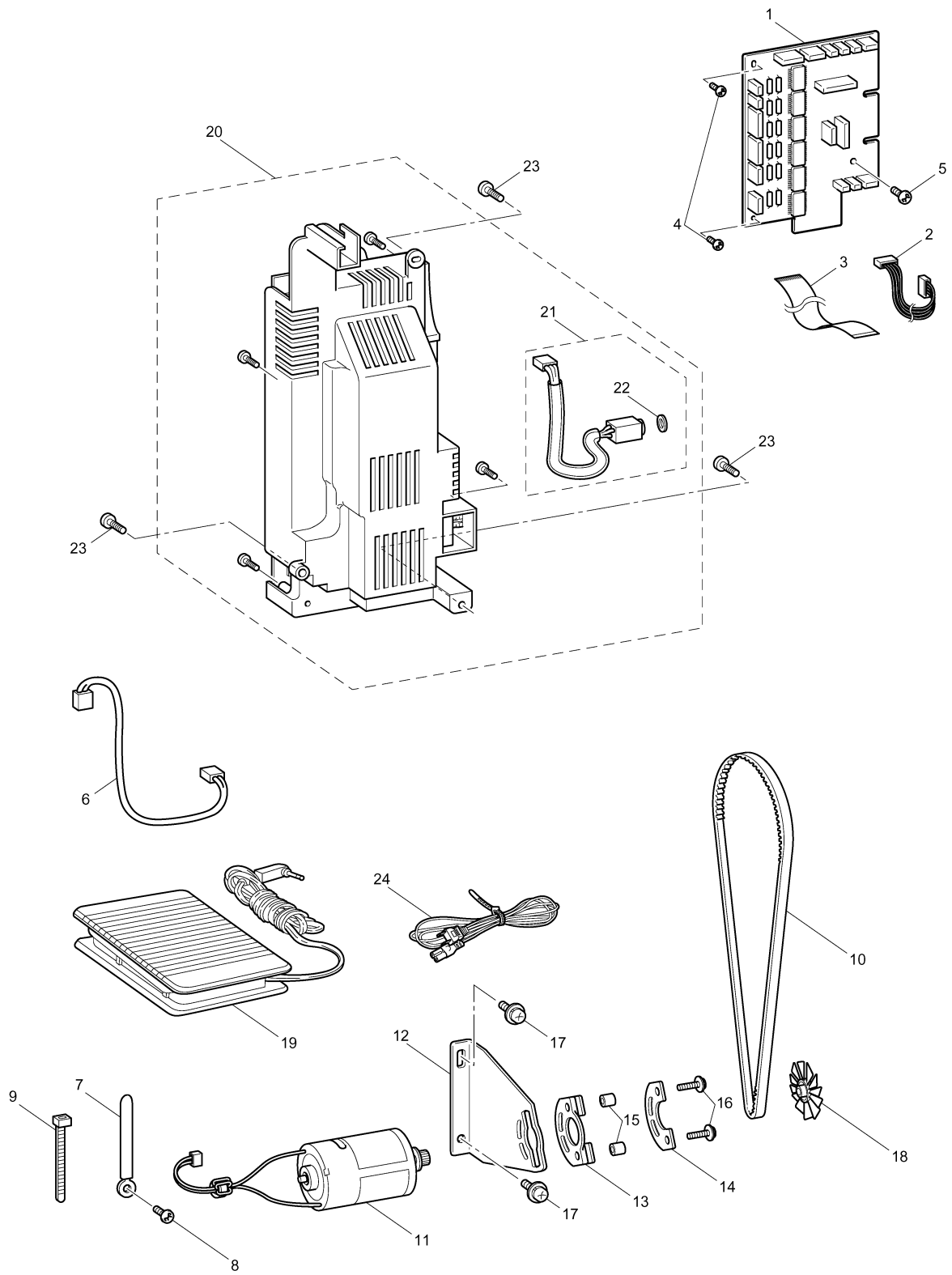
No.	CODE	NAME	REMARKS
ROTARY HOOK DRIVE MECHANISM			
1	XC2600050	LOWER SHAFT A	
2	XC2601051	TIMING PULLEY D	
3	014500532	SET SCREW, SOCKET (CP) M5 × 5	
4	X52664050	LOWER SHAFT BUSHING	
5	X51383050	WASHER, THRUST	
6	048060346	RETAINING RING, E6	
7	137768151	SET SCREW COLLAR	
8	014400432	SET SCREW, SOCKET (CP) M4 × 4	
9	XC2602051	JOINT	
10	012500532	SET SCREW, SOCKET (FT) M5 × 5	
11	XC2602051	JOINT	
12	012500532	SET SCREW, SOCKET (FT) M5 × 5	
13	132421051	BUSHING PRESSER	
14	X57908051	TAPTITE, BIND S M4 × 10	
15	XC2603050	DISK	
BOBBIN WINDER MECHANISM			
16	XC2605051	BOBBIN WINDER ASSEMBLY HOLDER	
17	XC2606151	BW SHAFT HOLDER ASSEMBLY	
18	X55238051	RUBBER RING	
19	125928050	BOBBIN WINDER SHAFT SPRING	
20	048050343	RETAINING RING, E5	
21	XA2862051	BOBBIN WINDER SHAFT STOPPER	
22	X59939051	BOBBIN WINDER SPRING	
23	XC2614051	SW ADJUST PLATE	
24	060300616	SCREW, BIND M3 × 6	
25	XC2612051	SW ASSY: BW-F	
26	XC4672051	BOBBIN BASE ASSY	
27	XC2616051	BOBBIN BASE	
28	XA5877051	BOBBIN THREAD CUTTER HOLDER	
29	X80321001	NT LOWER THREAD CUTTER	
30	XA8390051	SCREW	
31	XC9590051	BOBBIN WINDER COVER	
32	021300206	NUT, 1 M3	
33	0A4302506	SCREW PAN (S/P WASHER) M3X25	
34	XC4517051	BOBBIN PRESSER	
35	XC2615051	BW HOLDER SUPPORTER	
36	X57908051	TAPTITE, BIND S M4 × 10	
37	060400816	SCREW, BIND M4 × 8	



(5) THREAD GUIDE MECHANISM

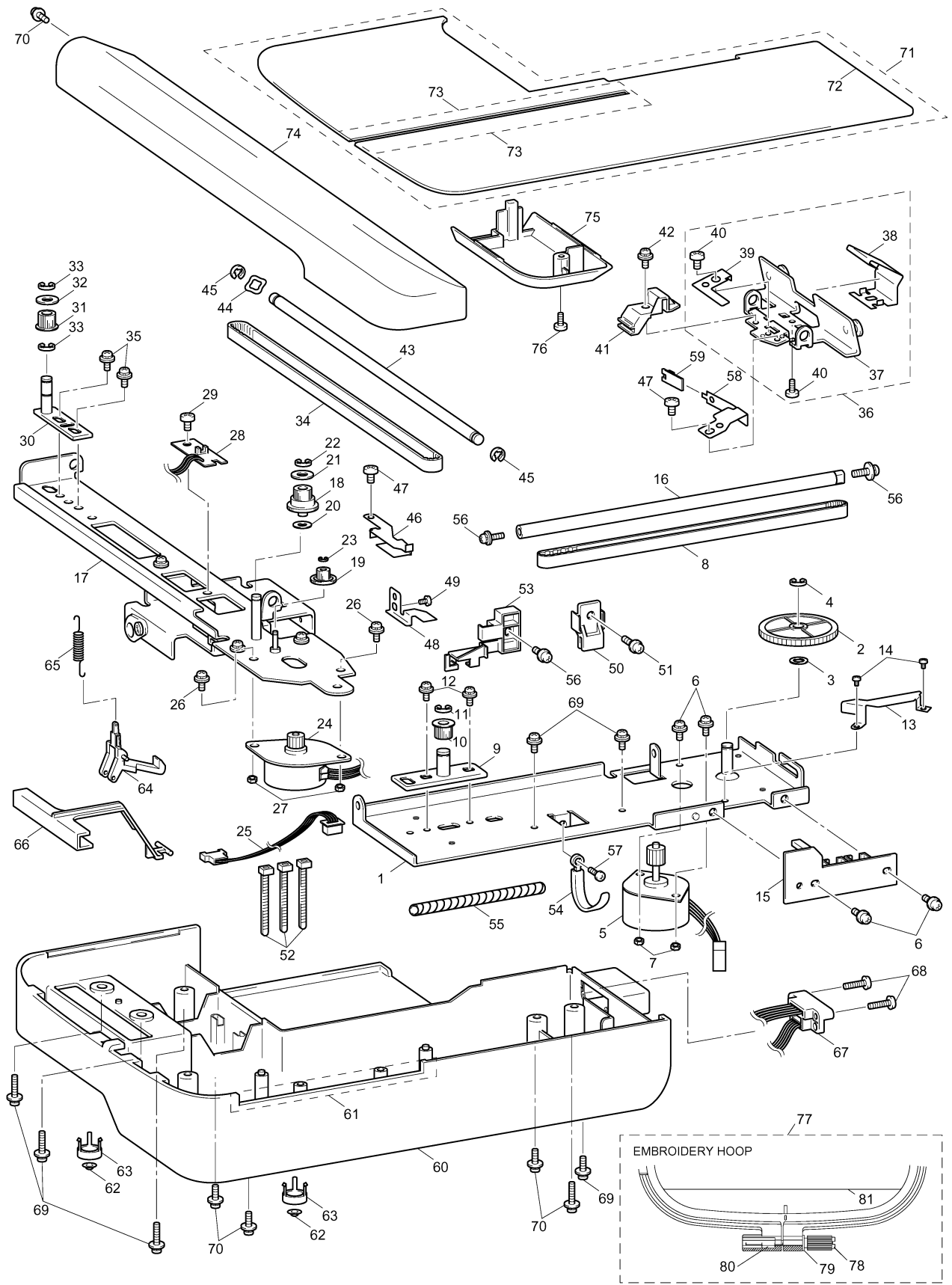
No.	CODE	NAME	REMARKS	No.	CODE	NAME	REMARKS
1	XC2624351	THREAD GUARD ASSEMBLY		45	XC2642051	SW ASSY:PF-F	
2	XA0083051	TENSION DISC A		46	XC4407021	MOTOR,PULSE:AT SMJ35-4840-D	
3	XC2626051	TENSION DISC B		47	XC4484051	INITIAL ADJUSTING PLATE	
4	XC3437051	TENSION ADJUSTING SCREW		48	XC3253051	RUBBER	
5	XA1388051	TENSION DISC WASHER		49	X53169050	BAND	
6	XC2627051	TENSION RELEASE PLATE ASSY		50	X55260153	SPOOL PRESSER C	
7	XA9900051	THREAD TENSIONSPRING		51	XA9787051	SPRING	
8	XD0573051	WASHER		52	085411015	TAPTITE, BIND B M4 × 10	
9	XA9562051	TENSION PLATE ASSY		53	XD0384051	THREAD GUIDE COVER	
10	XZ0171051	THREAD TENSIONCAM		54	XD0386051	FRONT THREAD GUARD COVER	
11	048030346	RETAINING RING, E3		55	060300416	SCREW, BIND M3 × 4	
12	XZ0170051	THREAD TENSION GEAR COVER		56	XC7564051	SCREW, PAN(S/P WASHER)M3X6	
13	X56323051	SPRING		57	XD0389051	THREAD GUIDE COVER	
14	XA9935050	SPRING TAPE		58	XC9745051	THREAD GUIDE	
15	XC2635151	TENSION RELEASE HOLDER ASSY		59	X59629051	TAPTITE,BIND B M3X10	
16	XA9571051	TENSION RELEASERLINK					
17	048030346	RETAINING RING, E3					
18	XC2638051	TENSION PRESSURE ASSY					
19	XA9575051	TENSION PLATE					
20	XA9576051	SPACER					
21	XA9577051	SPRING					
22	XC2640051	TENSION RELEASE CAM					
23	012300432	SET SCREW, SOCKET (FT) M3 × 4					
24	X57363051	POWER LOCK 2 × 3					
25	X57605051	SPRING					
26	048020346	RETAINING RING, E2					
27	XC2644051	PLATE ASSEMBLY					
28	XC9740051	THREAD GUIDE SHUTTER					
29	XC2749051	THREAD GUIDE					
30	XZ0145051	THREAD TAKE UP SPRING					
31	XD0377051	THREAD CATCHING SPRING CASE FE					
32	XD0378051	THREAD CUTTING SHUTTER FE					
33	XD0379051	THREAD SENSOR HOLDER FE					
34	XD0380051	UPTHREAD PCB ASSY FCOM					
35	0A4302006	SCREW PAN (S/P WASHER) M3X20					
36	XC2649050	THREAD GUIDE SHUTTER LINK					
37	048030346	RETAINING RING, E3					
38	XC2650051	SPRING					
39	XD0383050	THREAD GUIDE WIRE FE					
40	XA9996051	WASHER,PLAIN					
41	0A4300606	SCREW PAN (S/P WASHER) M3X6					
42	XC7564051	SCREW, PAN(S/P WASHER)M3X6					
43	060300416	SCREW, BIND M3 × 4					
44	XC2641051	PRESSER SWITCH HOLDER					

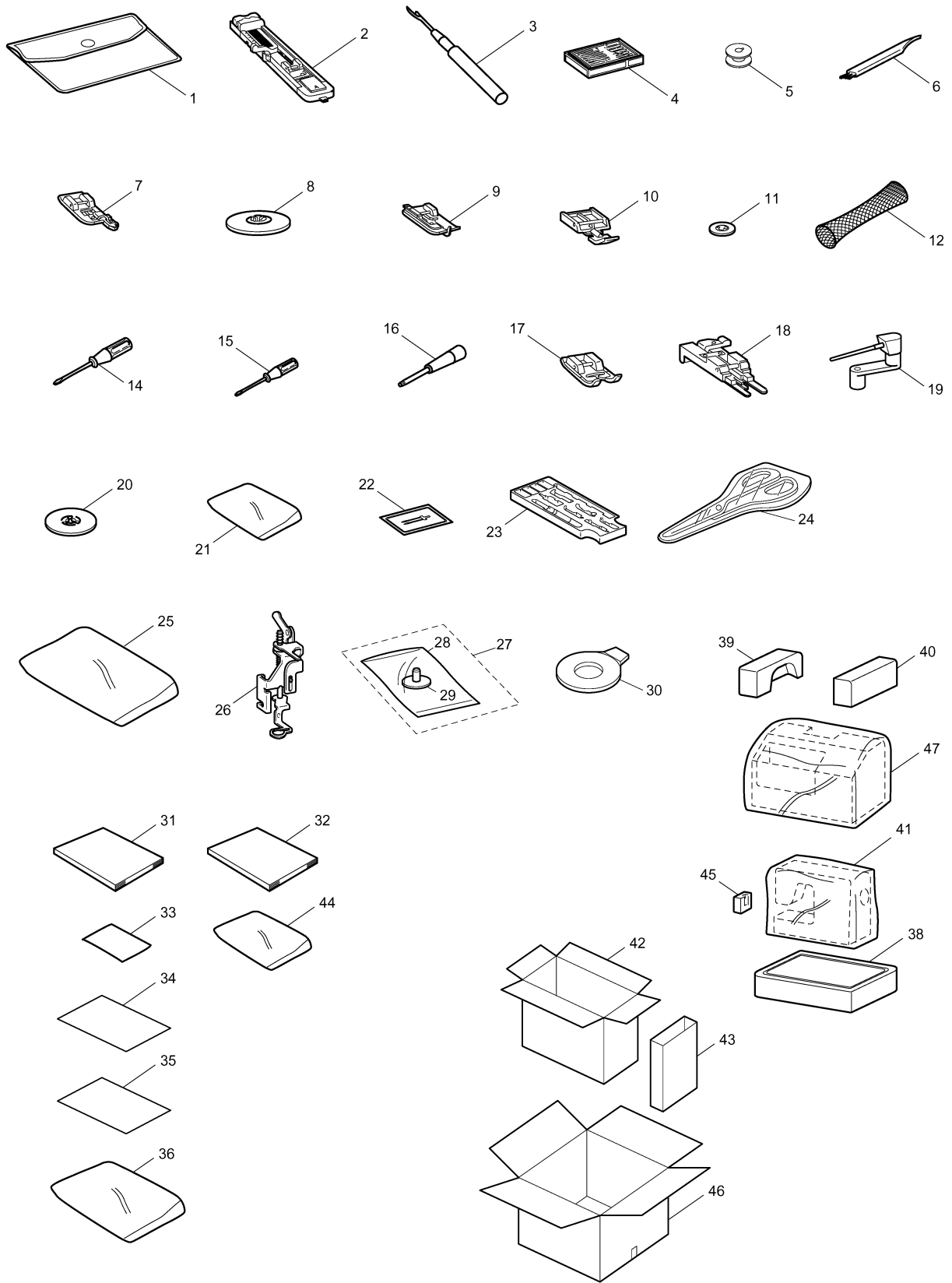




(7) EMBROIDERY UNIT

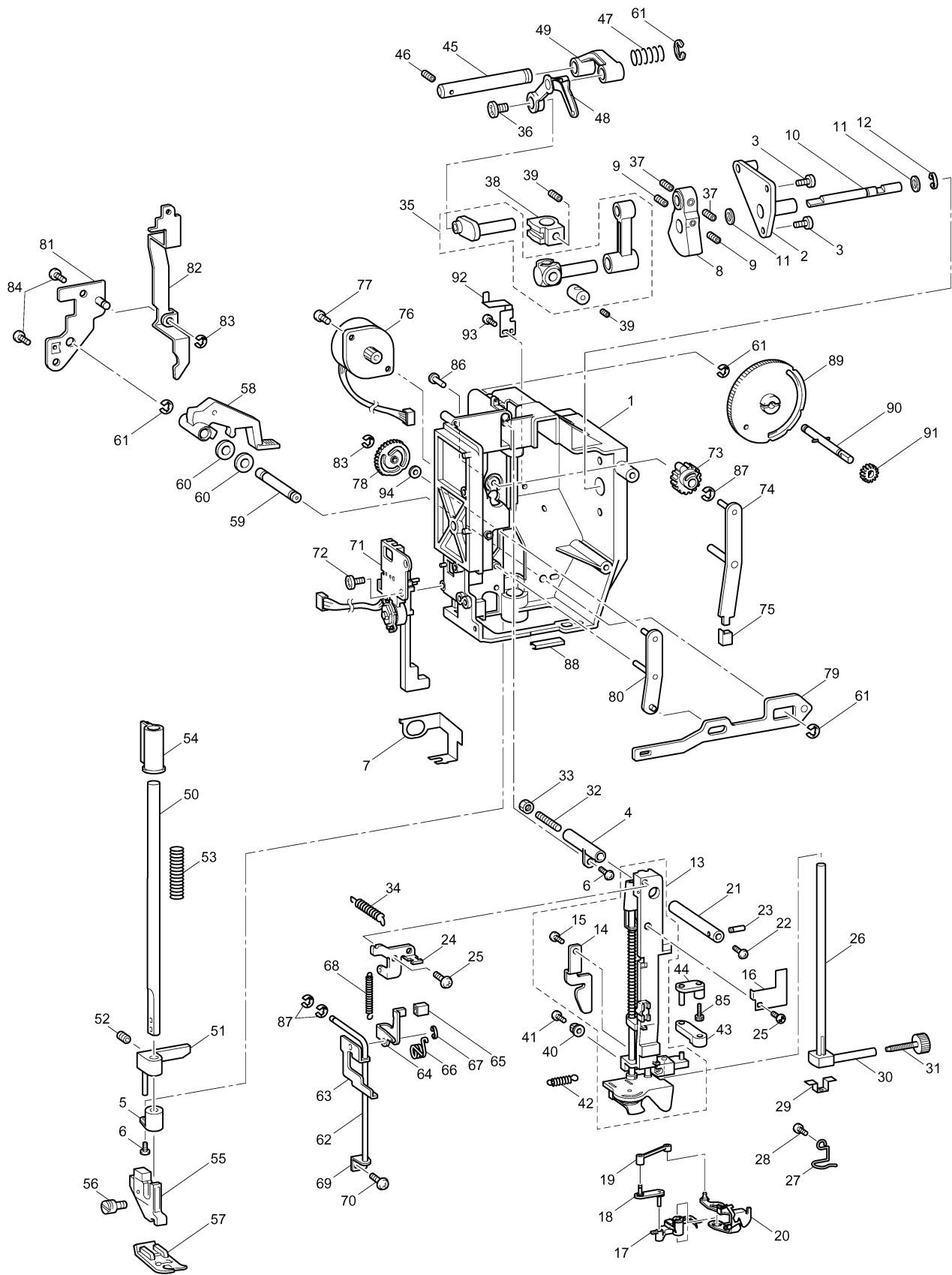
No.	CODE	NAME	REMARKS	No.	CODE	NAME	REMARKS
1	XD0413051	MAIN FRAME SUB ASSY		45	048040346	RETAINING RING E4	
2	XA2122050	X DRIVING GEAR PULLEY		46	XD0446050	CODE GUIDE	
3	X53838051	WASHER		47	060300416	SCREW BIND M3X4	
4	048040346	RETAINING RING E4		48	XD0447050	X INITIAL SHUTTER	
5	XD0415051	X PULSE MOTOR SMJ40-4888-B		49	060400616	SCREW BIND M4X6	
6	XA8390051	SCREW, PAN(S/P WASHER)M3X7		50	XA2144350	X BELT PRESSER	
7	021300205	NUT 2 M3		51	XC7566051	SCREW, PAN(S/P WASHER)M4X8	
8	XA2123051	TIMING BELT 62S2M494		52	X53169050	BAND	
9	XD0418051	X TENSION PULLEY ASSY		53	XD0448050	X SLIDER	
10	XA2127050	TENSION PULLEY		54	T31049001	COATING CLIP CS-6	
11	048040346	RETAINING RING E4		55	XD1114051	SPIRAL TUBE 110X4	
12	XC7566051	SCREW, PAN(S/P WASHER)M4X8		56	XC7566051	SCREW, PAN(S/P WASHER)M4X8	
13	XD0421050	OIL GUARD PLATE		57	060400616	SCREW BIND M4X6	
14	060300416	SCREW BIND M3X4		58	XD0768051	Y GUIDE SHAFT PRESSER PLATE	
15	XD0422051	EMB RELAY PCB ASSY		59	XD0769050	Y GUIDE SHAFT PRESSER	
16	XA2128051	X GUIDE SHAFT		60	XD0452051	ES BASE COVER	
17	XD0426051	X CARRIAGE ASSY		61	XD0453051	GROOVE COVER	
18	XA2134050	Y DRIVING GEAR PULLEY		62	X59853050	RUBBER CUSHION	
19	XA2133150	GEAR		63	XC8094051	RUBBER CUSHION COVER	
20	X53838051	WASHER		64	XD0454051	LOCK FINGER	
21	025060235	WASHER PLAIN M 6		65	XC8096051	SPRING	
22	048040346	RETAINING RING E4		66	XD0455051	LOCK RELEASE LEVER	
23	048020346	RETAINING RING E2		67	XD0456051	LEAD WIRE ASSY EMB UNIT FCOMB	
24	XD0432051	Y PULSE MOTOR SMJ35-4823-F		68	085301615	TAPTITE BIND P M3X16	
25	XD0435051	LEAD WIRE ASSY YPM RELAY		69	087411416	TAPTITE CUP B M4X14	
26	XA8390051	SCREW, PAN(S/P WASHER)M3X7		70	XC7566051	SCREW, PAN(S/P WASHER)M4X8	
27	021300205	NUT 2 M3		71	XD0457051	ES MAIN COVER ASSY	
28	XD0436051	Y SENSOR PCB ASSY		72	XD0458051	ES MAIN COVER	
29	060300416	SCREW BIND M3X4		73	XD0453051	GROOVE COVER	
30	XD0438051	Y TENSION PULLEY ASSY		74	XD0461051	X CARRIAGE COVER	
31	XA2127050	TENSION PULLEY		75	XD0463051	YPM COVER	
32	025060235	WASHER PLAIN M 6		76	085301017	TAPTITE BIND P M3X10	
33	048040346	RETAINING RING E4		77	XA2168201	EF26 985 EMBROIDERY FRAME LARG	
34	XC8041051	TIMING BELT 40S2M530		78	X56373101	THUMB SCREW	
35	XC7566051	SCREW, PAN(S/P WASHER)M4X8		79	X59422001	WASHER	
36	XD0441051	Y CARRIAGE ASSY		80	XA6982001	NUT	
37	XD0442051	Y CARRIAGE PLATE SUB ASSY		81	XD0464051	EMBROIDERY SHEET L ASSY F	
38	XD0444051	HOOP FIXED SPRING			XD0466051	ES CARTON	
39	XD0445050	Y INITIAL SHUTTER			XD0468050	ES POLYSTYRENE FOAM T	
40	060300416	SCREW BIND M3X4			XD0469050	ES POLYSTYRENE FOAM U	
41	XA4710250	Y SLIDER			X60679051	BAG,450X400H	
42	XA8390051	SCREW, PAN(S/P WASHER)M3X7			XD0966051	INSERTION	
43	XA2139051	Y GUIDE SHAFT					
44	103810052	WASHER, WAVE SPRING			XD0409051	EMBROIDERY PACKING ASSY	

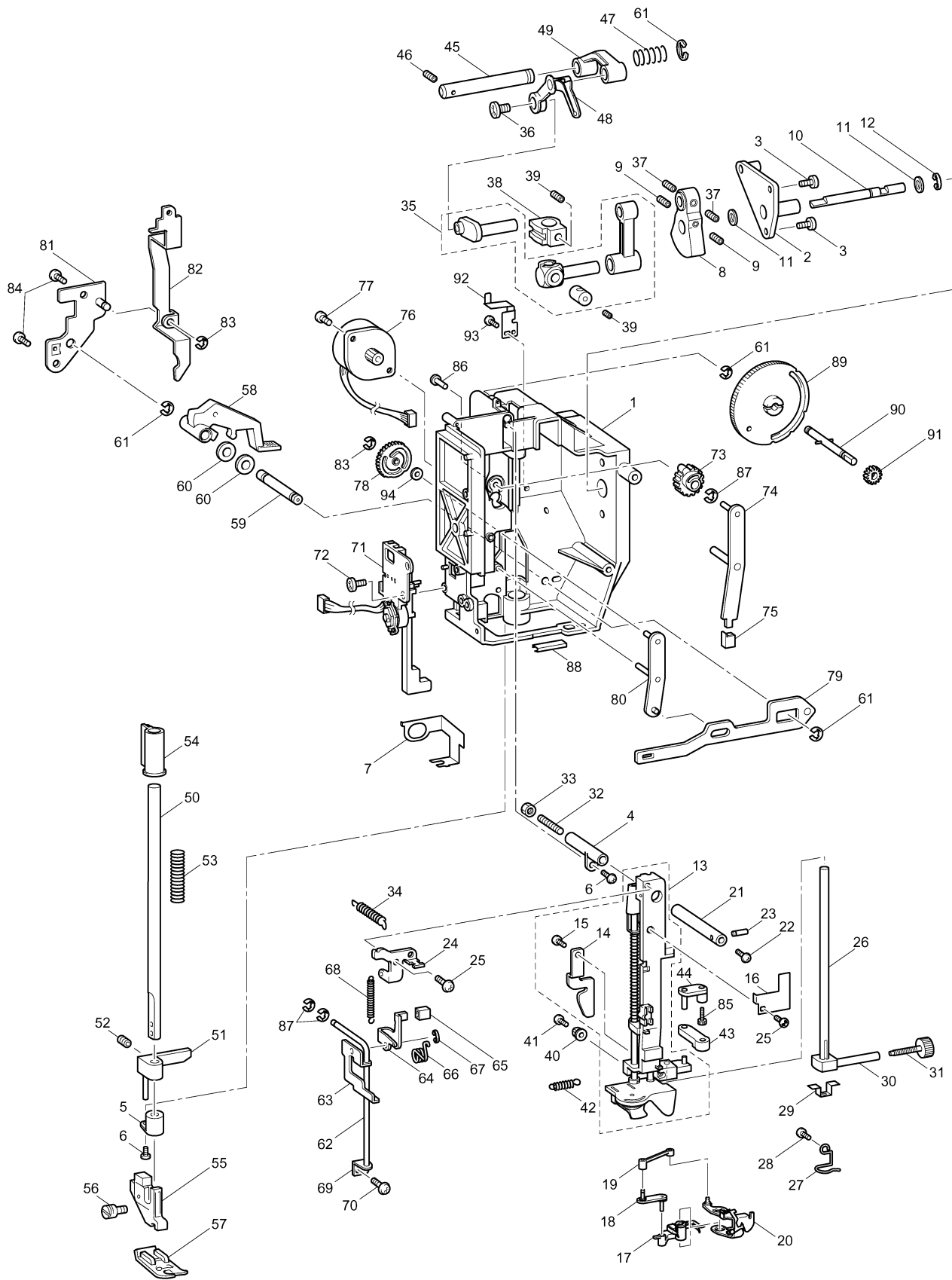


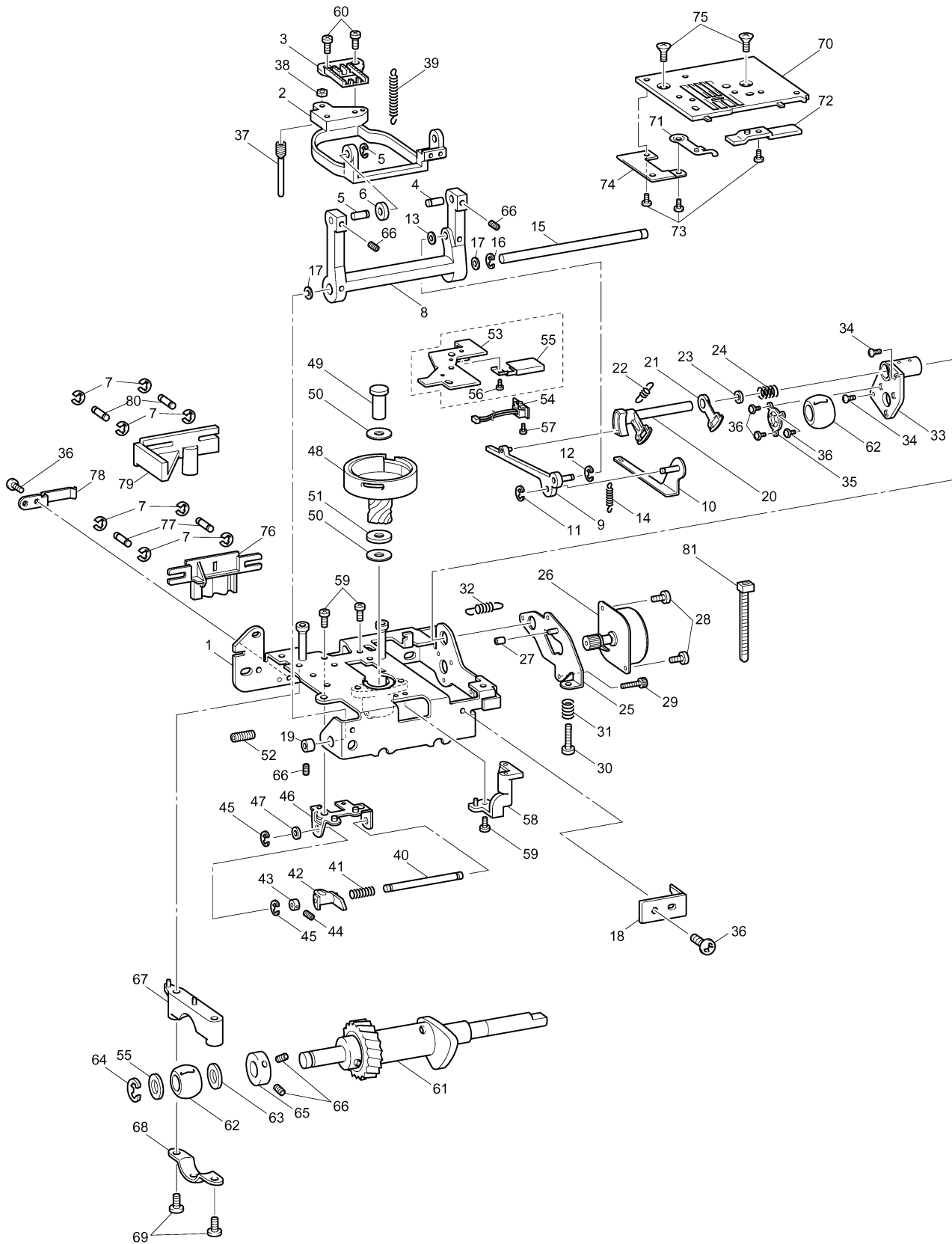


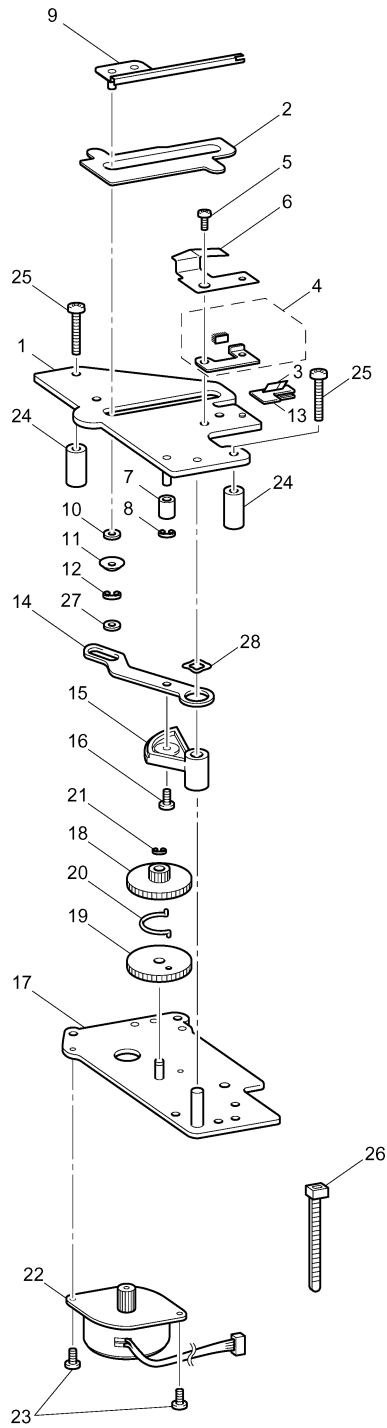
NEEDLE-PRESSER MODULE

No.	CODE	NAME	REMARKS	No.	CODE	NAME	REMARKS
1	XC2394421	UPPER UNIT HOLDER		45	XC2440051	SHAFT	
2	XZ0177021	SHAFT BUSHING ASSEMBLY		46	014300532	SET SCREW, SOCKET (CP) M3 × 5	
3	XC7568051	SCREW,PAN (S/P WASHER) M4 × 14		47	XC2441021	SPRING	
4	XC2398020	SHAFT BUSHING A		48	XC2442153	THREAD TAKE-UP LEVER	
5	XC2399021	PRESSER BAR BUSHING		49	XC2443020	THREAD TAKE-UP LEVER LINK	
6	136681051	TAPTITE, BIND B M3 × 8		50	XC2444021	PRESSER BAR	
7	XC5362020	PLATE SPRING		51	XC2445021	PRESSER BAR CLAMP ASSY	
8	XC2400021	THREAD TAKE-UP COUNTER WEIGHT		52	014501032	SET SCREW,SOCKET(CP)M5 × 10	
9	012500532	SET SCREW, SOCKET (FT) M5 × 5		53	XC4457051	SPRING	
10	XC2401021	UNIT SHAFT		54	XC4458050	PRESSER SPRING SUPPORTER	
11	132434020	WASHER		55	XC3015051	PRESSER FEED HOLDER ASSY	
12	048060346	RETAINING RING, E6		56	XA4813051	SCREW	
13	XC9716051	NEEDLE BAR SUPPORTER ASSY		57	XC3021051	Z FOOT	
14	XC9908050	HOOK RELEASE PLATE		58	XC9725051	PRESSER FOOT LIFTER	
15	060260516	SCREW, BIND M2.6 × 5		59	XC2452051	PRESSER LIFT SHAFT	
16	XC9947050	THREAD TAKE-UP LEVER BACKPLATE		60	XA1860150	WASHER	
17	XC3032051	THREADER HOOK ASSY		61	048040346	RETAINING RING, E4	
18	XA3565021	LINK A ASSY		62	XC2453051	LEVER GUIDE SHAFT	
19	XA3569021	LINK B		63	XC2455021	LEVER A ASSY	
20	XC9613051	THREAD GUIDE ASSY		64	XC2458021	LEVER B	
21	XC2419021	SHAFT		65	XC2459020	CAP	
22	000020415	SCREW, BIND M2 × 4		66	XC2460021	TORSION SPRING	
23	XC2420050	SHAFT		67	048030346	RETAINING RING, E3	
24	XC2421121	PLATE		68	XC2461021	SPRING	
25	060300516	SCREW, BIND M3 × 5		69	XC2462021	LEVER PRESSER PLATE	
26	XC2423051	NEEDLE BAR		70	138433051	TAPTITE, PAN B M3 × 6	
27	XC2424021	NEEDLE BAR THREAD GUIDE		71	XC2463121	BH SWITCH ASSY	
28	X53053052	SCREW SM2.38		72	XZ0149051	TAPTITE,PAN B 4 × 12	
29	XC2426020	NEEDLE THREAD PLATE		73	XC2474020	Z ZIGZAG CAM	
30	XC2427051	NEEDLE BLOCK		74	XC2476021	Z ZIGZAG LEVER ASSY	
31	XZ0388051	NEEDLE CLAMP SCREW		75	XC2480020	Z LEVER CUP	
32	014401232	SET SCREW, SOCKET (FT) M4 × 12		76	XC2481051	MOTOR,PULSE:Z SMJ35-4840-A	
33	X56851051	LOCK NUT		77	X59629051	TAPTITE,BIND B M3X10	
34	XC2429021	SPRING		78	XC2483020	T CAM	
35	XZ0152051	NEEDLE BAR CRANK ROD ASSY		79	XC2491021	THREAD RELEASER ASSY	
36	132051052	SCREW, FLAT SM3.57-40 × 7 L		80	XC2494021	THREAD RELEASE LEVER ASSY	
37	012500532	SET SCREW, SOCKET (FT) M5 × 5		81	XC2498021	ADJUSTING PLATE ASSY	
38	XC2434021	NEEDLE THREAD BLOCK		82	XC2501121	TENSION RELEASER C	
39	012400432	SET SCREW, SOCKET (FT) M4 × 4		83	048030346	RETAINING RING, E3	
40	XC2435020	ZIGZAG ADJUSTING NUT		84	XC3588051	GIZA TITE 4X12	
41	018301032	BOLT,SOCKET M3 × 10		85	XC3037051	SCREW3 × 10	
42	XC2748021	SPRING-Z		86	XC2475051	SHAFT	
43	XC2436021	NEEDLE HOLDER BROCK		87	048020346	RETAINING RING, E2	
44	XC2437021	SHAFT ASSY		88	XC3034020	THREAD GUIDE PLATE	









NV1000
09G05HF882U10